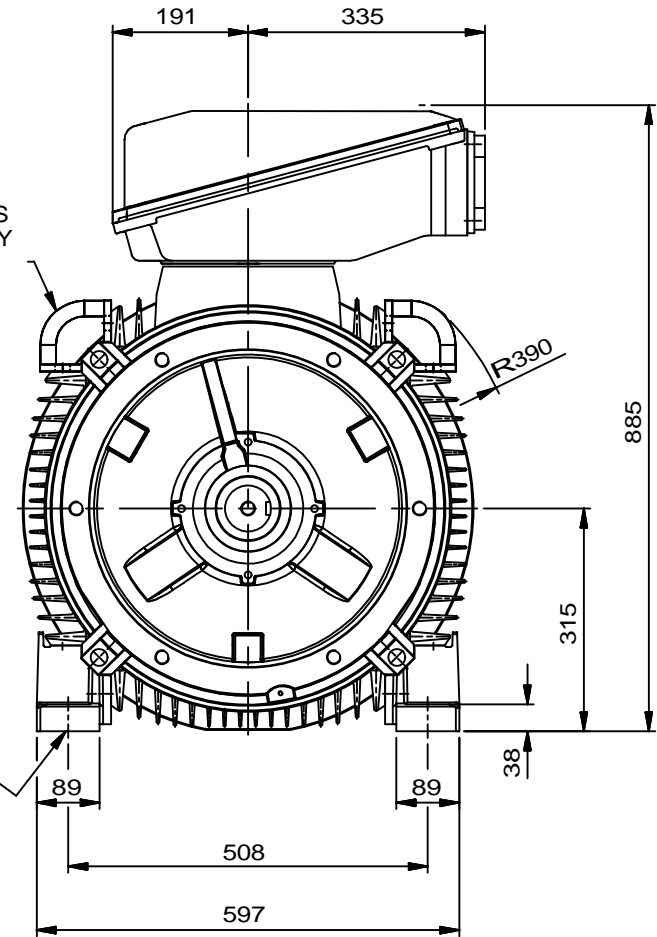
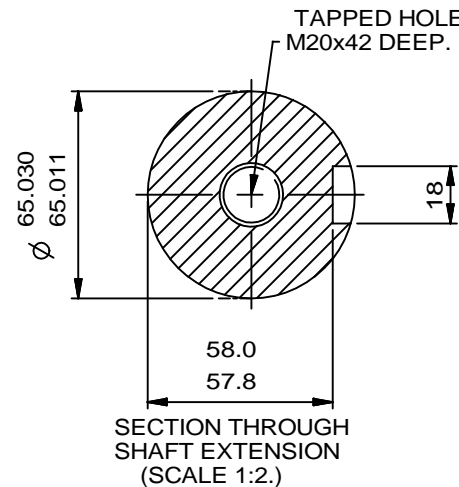


2 LIFTING LUGS
DIAGONALLY
OPPOSITE.

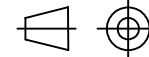


4 HOLES FOR
M24 BOLTS.



NOTE:
TERMINAL BOX CAN BE MOUNTED
(LEFT OR RIGHT) BY REFITTING FEET
AND LIFTING LUGS 90° IN APPROPRIATE
DIRECTIONS. CABLE ENTRY CAN BE
SUPPLIED IN ANY ONE OF FOUR
POSITIONS AT 90° INTERVALS.

ALL DIMENSIONS IN MILLIMETRES



FIRST ANGLE
PROJECTION

**BROOK
CROMPTON**

Produced by *Tamel s.p.a.* a company of **ATB**
Technology in Motion

DRG. No. **M9114**

DRG. REF.

REVISION: DATE

TITLE
OUTLINE DIMENSIONS OF STANDARD FOOT MOUNTED METRIC
A.C. MOTOR. TOTALLY ENCLOSED FAN VENTILATED.
FRAME SIZE: W-DF315M (2 POLE ONLY.)

	NAME	DATE
DRAWN	JM	07-09-10
CHECKED	KC	07-09-10
SCALE	1:9	

SHEET
SIZE
A3

NOTE!
2.5 ENDPLAY WILL BE PROVIDED FOR ENDTHRUST
PROTECTION WHEN CUSTOMERS NOTIFY US OF THEIR
INTENTION TO USE RIGID COUPLINGS AND DRIVEN
MACHINES WITHOUT ENDPLAY.